

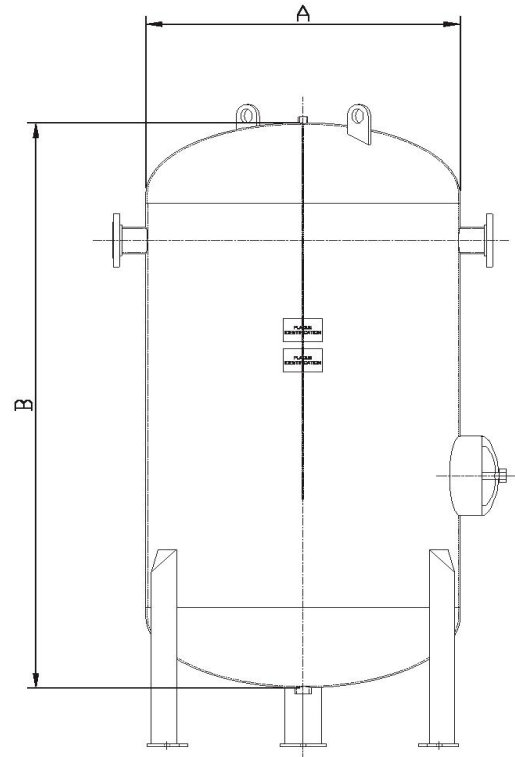
ASME Buffer tank RT SERIES

DIMENSION "A"

Available from 24" to 144" in diameter.

DIMENSION "B"

According to your needs



Spécifications

- CONSTRUCTED IN ACCORDANCE WITH THE ASME CODE, SEC VIII 2010 11a, DIV.1, PARAG. UW-12
- CONSTRUCTED IN ACCORDANCE WITH CSA B.51
- DESIGNED PRESSURE : 125psi (862KPa), 150 psi (1 034KPa), 200 psi (1 379KPa) AND MORE ON REQUEST
- CARBON STEEL OR STAINLESS STEEL CONSTRUCTION
- EXTERNAL FINISH : CLEANED WITH SOLVENT AND APPLICATION OF ONE COAT OF GREY PRIMER
- HYDROSTATIC TEST AND CRN INCLUDED

Options

- LOWER CONNECTIONS
- VERTICAL INTERNAL BAFFLE TO ENCOURAGE PROPER MIXING OF FLUID

NOTE: CONTACT YOUR LOCAL REPRESENTATIVE FOR CUSTOM DRAWING